

MAGNETIC BARREL FINISHING MACHINE

MODEL MBF-330NC MBF-300NC MBF-200NC MBF-100NC

These polishing machines are used for polishing small non-ferrous metal materials. The workpieces and magnetic medium are put into a container. And placed the container on top of the machine. Then workpieces are vigorously rotated by a rotating magnetic field and get beautiful surface in a short time.

MBF-330NC

■ Large-size, high-power type for factory production

Size of top plate : 335 x 335 mm
WidthxDepth : 420 x 500 mm
Height : 420 mm
Motor : 750 W
Power : 3Φ, 200V
Net weight : approx.49 kg



MBF-300NC

■ Middle-size for factory production

Size of top plate : 300 x 300 mm
WidthxDepth : 395 x 480 mm
Height : 395 mm
Motor : 400 W
Power : 1Φ, 100-115V
Power : 1Φ, 200-230 V
Net weight : approx.39 kg



MBF-200NC

■ Small-size for small quantity

Size of top plate	: 210 x 210 mm
WidthxDepth	: 275 x 350 mm
Height	: 345 mm
Motor	: 200 W
Power	: 1Φ, 100-115 V
Power	: 1Φ, 200-230 V
Net weight	: approx.24 kg

MBF-100NC

■ Minimum-size for fine parts, lapidary parts, small amount of test and dental parts and others.

Size of top plate	: 120 x 120 mm
WidthxDepth	: 150 x 180 mm
Height	: 175 mm
Motor	: 25 W
Power	: 1Φ, 100V
Net weight	: approx.5.5 kg

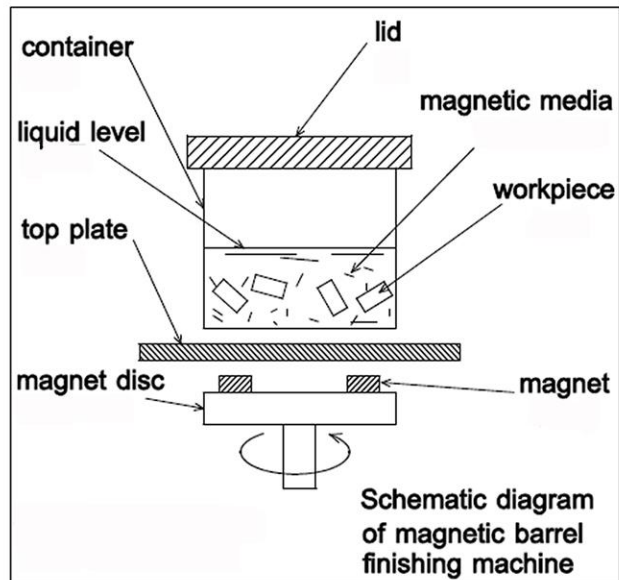


■ USE

- Fine burring
- Surface polishing
- Removal of oxide coating
- Pre- processing for plating
- Washing and others

■ WORKPIECE MATERIALS

- Brass
- Stainless-steel
- Aluminum
- Magnesium alloy
- Titanium
- Rigid plastic and others



Operating principle of
magnetic barrel finishing machine

Specifications subject to change without notice. 2014

 **IMAHASHI MFG CO., LTD.**
<http://www.imahashi.net>

Head office & Factory Postal code 400-0862
 3-10-5 Asake, Kofu-shi, Yamanashi-ken, Japan
 Phone: +81 055 232 3143 Fax: +81 055 232 3149
 Email: kofu@imahashi.net

Tokyo office Postal code 184-8533
 In KOGANEI Co., Ltd.
 3-11-28 Midori-cho, Koganei-shi, Tokyo
 Phone: +81 042 383 5517 Fax: +81 042 383 5518
 Email: tokyo@imahashi.net