

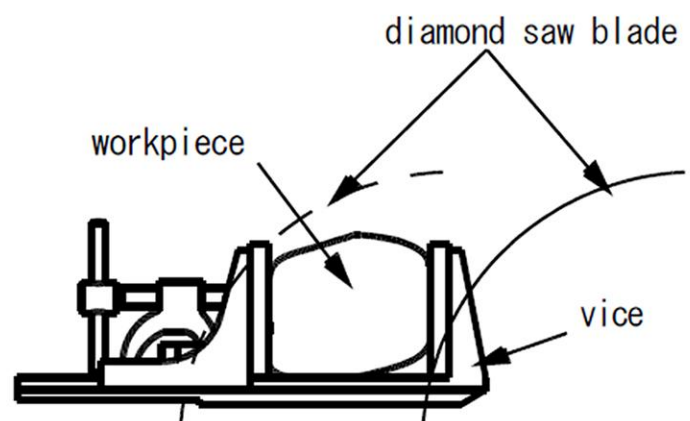
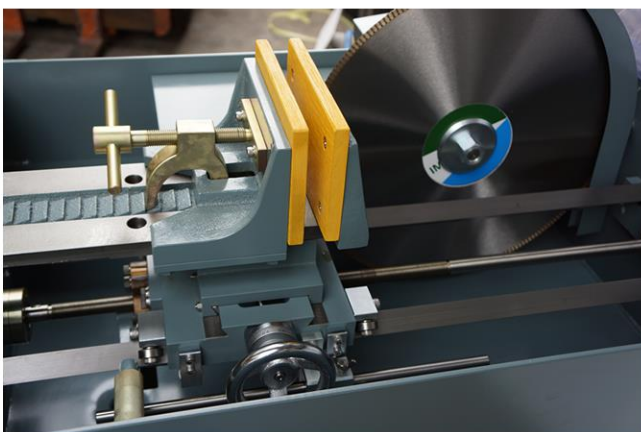
SLAB SAW MODEL AC-18

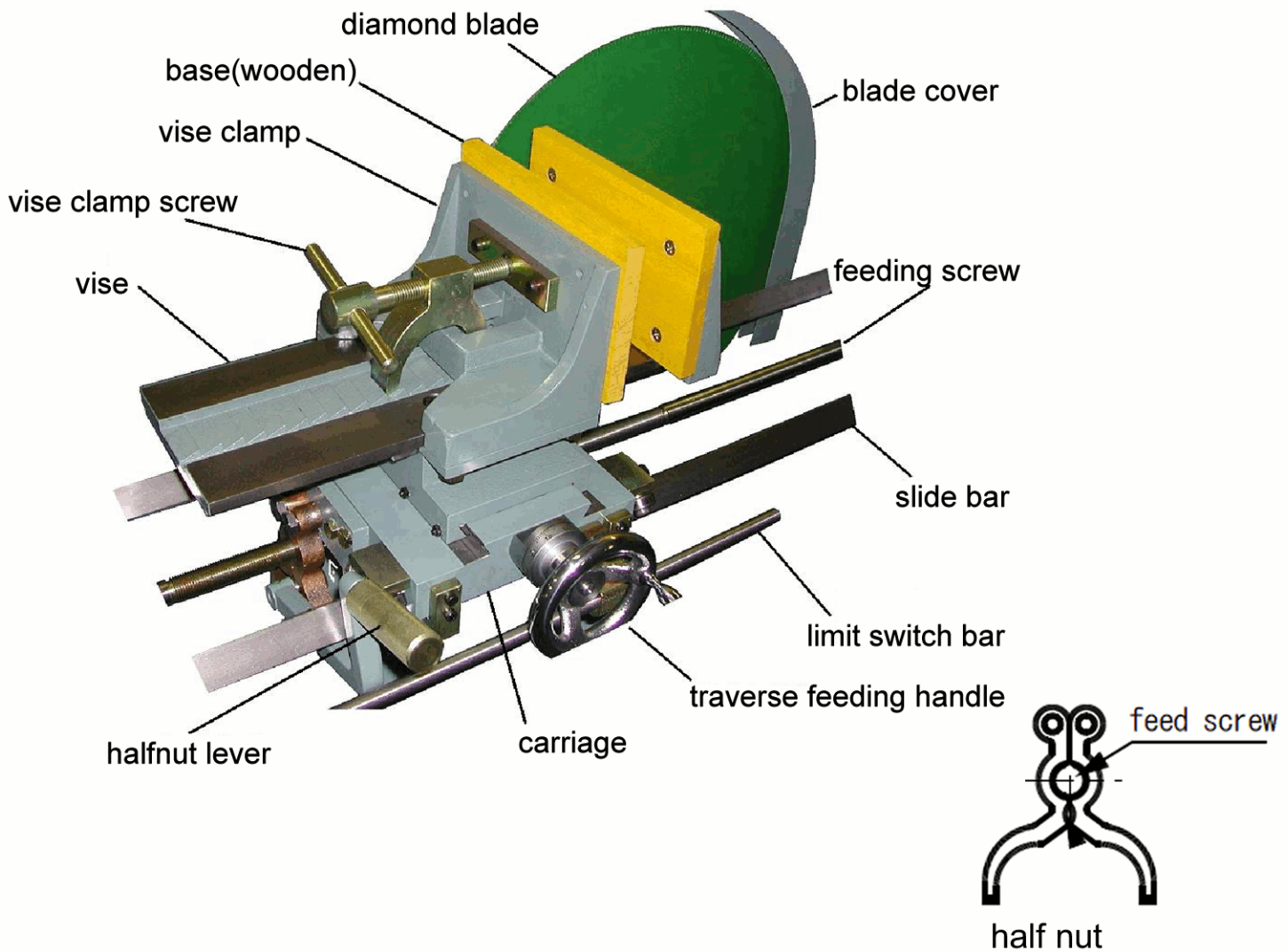
This automatic slab saw machine is for gemstones, stones, glasses and also ceramics and other minerals.

- Operating sound is quite and less vibration so this is for long continuous operation.
- The machine with power feed is precision engineered and sturdily built to give years of satisfactory service.
Feed rate can be changed inficately by a lever according to variations in rock hardness.
- The automatic cut-off switch is adjustable for length of cut. The magnetic switch protects the motor from overload damage.
- The carriage slides on two square guide rods with the help of ball bearings, and the lateral cross feed is made by a hand wheel with a dial for multiple slabs.

The lead screw drives a carriage. The carriage is released off the lead screw by a flip of a handle for quick carriage return.

- To prevent the coolant from splashing, Model AC-18 has a plastic hood.





■ We also have AC-24. Please feel free to contact us about any special specifications.

SPECIFICATIONS

AC-18

| | | |
|--|-------|---------------------------|
| Machine size (width x depth x height) | | 800W x 1150D x 1120H mm |
| Maximum thickness of work using $\Phi 450$ blade | | 160 mm |
| feed speed | | 4-30mm/min |
| Main spindle rotation speed | | 1000 r.p.m. |
| Outer diameter of cutting blade | | 450 mm |
| Inner diameter of cutting blade | | 25.4 mm |
| Motor | | Three phase, 750W |
| Maximum required power | | Three phase 200V, 50/60Hz |
| Net weight | | 180Kg |

Specification subject to change without notice. 1407231

 **IMAHASHI MFG CO., LTD.**
<http://www.imahashi.net>

Head office & Factory Postal code 400-0862
 3-10-5 Asake, Kofu-shi, Yamanashi-ken, Japan
 Phone: +81 055 232 3143 Fax: +81 055 232 3149
 Email: kofu@imahashi.net

Tokyo office Postal code 184-8533
 In KOGANEI Co., Ltd.
 3-11-28 Midori-cho, Koganei-shi, Tokyo
 Phone: +81 042 383 5517 Fax: +81 042 383 5518
 Email: tokyo@imahashi.net